



Universal Swivel Assemblies



Model Number

- S-300-1 For use on **Unified** trolley BT-325-10 and BT-333-10

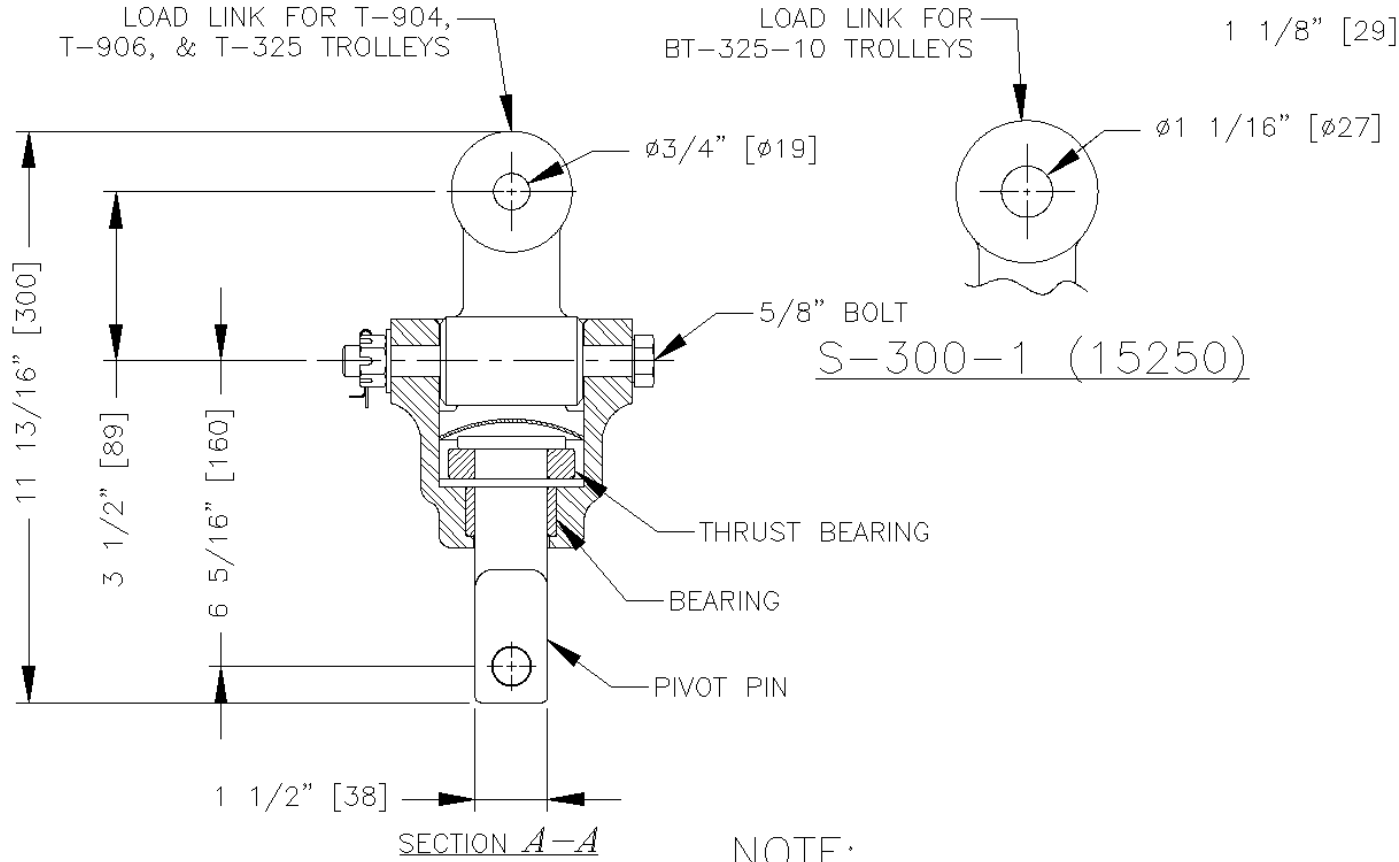
Application

- Unified universal swivel assemblies are specifically designed for the suspension of transformer stations not exceeding 2000 pounds
- Also used for the suspension of portable tools, hoists and fixtures

Features

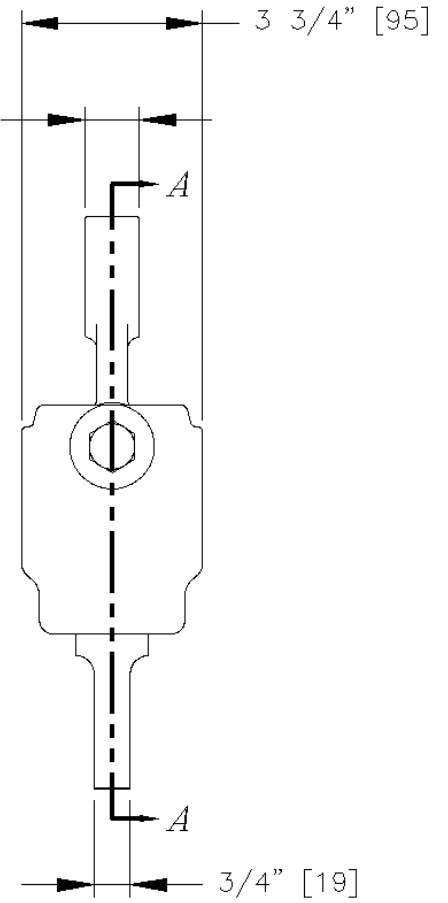
- Rotating shaft on universal swivel designed to fit standard transformer clevis
- Universal swivel permits suspended load to move in all three planes

© Copyright 2010, Unified Industries, Inc. www.unified-ind.com



S-300 (15240)

NOTE:
SPECIFY LOAD LINK AND TROLLEY APPLICATION



**UNIVERSAL SWIVEL
S-300**

REF.	STOCK CODE	DESCRIPTION	QUANTITY
1	78470	Welsh Plug	1
2	54280	Detent 9 Swivel Pin	1
3	53110	1-1/2" Washer	1
4	56010	Thrust Bearing	1
5	56050	Roller Bearing	1
6	51130	5/8" Hex Bolt	1
7	53070	5/8" Washer	2
8	54083	5/32" Cotter Pin	1
9	52290	5/8" Slotted Hex Nut	1

NOTE: Sold separately or as an Option on the BT-325-10 Trolley

