

Model Number

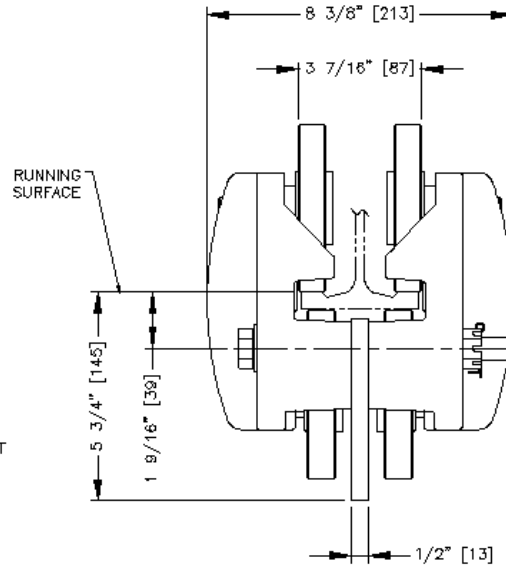
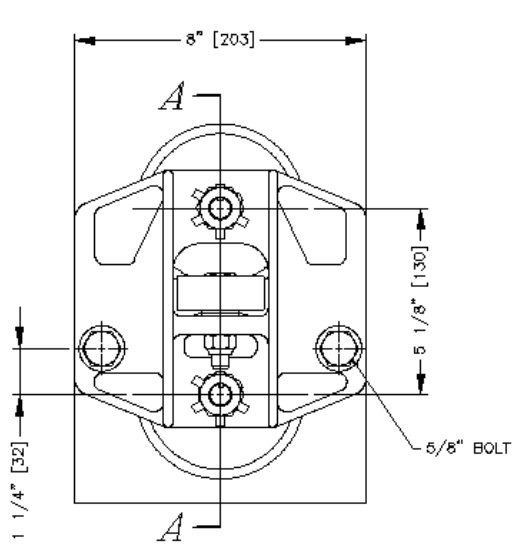
- **10310** TSE-1017-325 for operation on 3.25"/3.33" flange flat rail
- **10315** TSE-1017-333 for operation on 3.33" flange 6" S-Beam

Application

- Used in pairs on telescoping transfer beam extensions

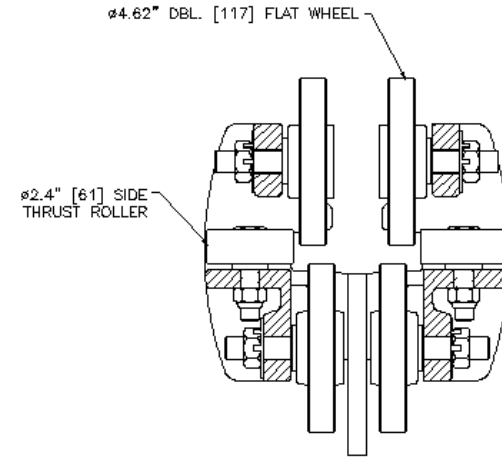
Features

- High tensile almag alloy frames
- Built-in safety lugs integral in frames
- 4.62" diameter drop forged steel load and kick-up wheels with low friction sealed bearings permanently lubricated
- Large 2.40" diameter hardened and ground ball bearing side thrust rollers

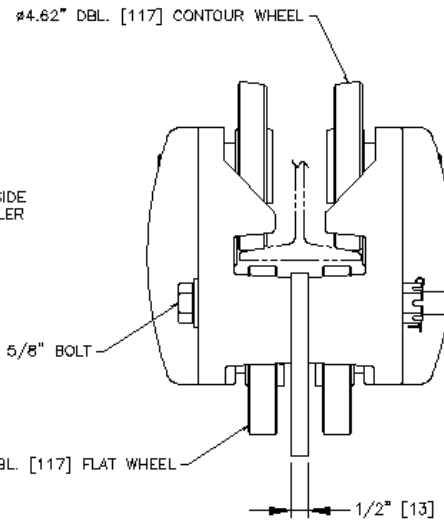
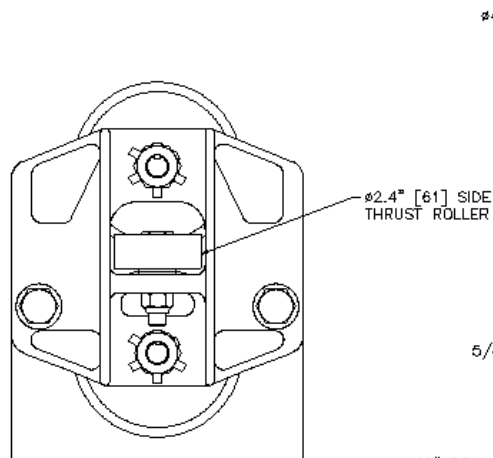


10310 TSE-1017-325

FOR OPERATION ON FLAT RAIL WITH
A 3.25" [82.6] OR 3.33" [84.6]
FLANGE WIDTH



SECTION A-A



10315 TSE-1017-333

FOR OPERATION ON S6 BEAM
WITH 3.33" [84.6] FLANGEWIDTH

- ALL DIMENSIONS ARE REFERENCE ONLY

TROLLEY SPECIFICATIONS

RATED LOAD: 2500 LBS. (1120 Kgs) WEIGHT:
31 LBS. (14 Kgs)
BODY: HIGH TENSILE ALMAG
WHEEL: 4 5/8" [117] DIA.
STUD: 5/8" [15.9] DIA.
THRUST ROLLERS: 2.4 [61] DIA. BALL BEARING.

NOTE:

WHEN ORDERING SPECIFY EXACT WIDTH
OF RUNNING SURFACE FLANGE.
1) 3.25 [82.6] FOR FLAT RAIL.
2) 2.66 [67.6] FOR S4 BEAM
3) 3.33 [84.6] FOR S6 BEAM

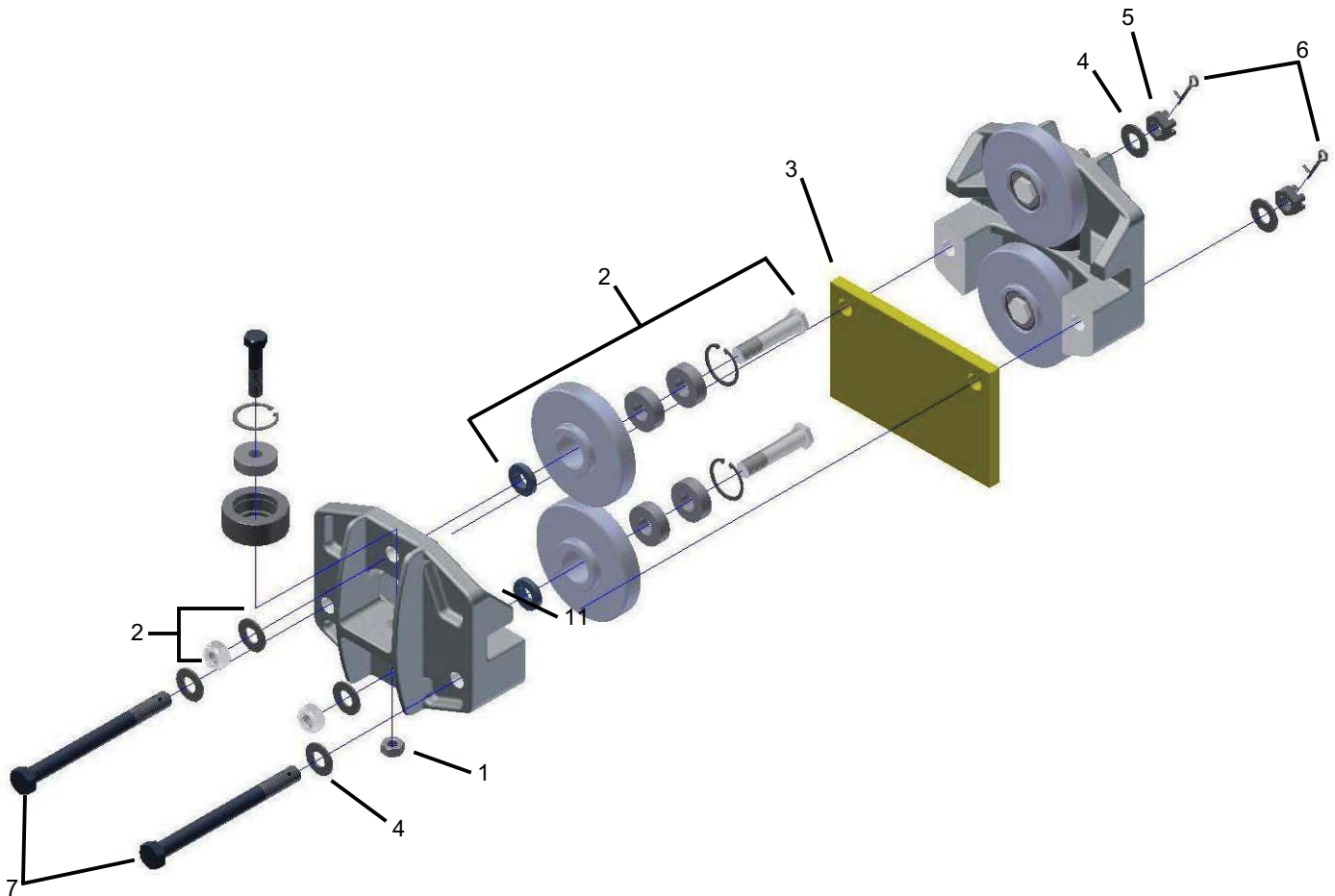
TSE-1017

REF.	STOCK CODE	DESCRIPTION	QUANTITY
1	15038	TSE Guide Roller Assembly 2.4" Flat Wheel Snap Ring Wheel Bearing Spacer 1/2" Hex Bolt 1/2" Top Lock Nut	2 2 2 4 2 2 2
2	30290	3005 Double Flat Wheel Sub-Assembly 4.6" Flat Wheel Snap Ring Wheel Bearing Stud Spacer 5/8" Wheel Stud Washer 5/8" Nylon Insert Jam Nut	4 4 4 8 4 4 4 4
3	55815	TSE Spacer	1
4	53070	5/8" Washer	4
5	52290	5/8" Slotted Hex Nut	2
6	54083	5/32" Cotter Pin	2
7	51170	5/8" Hex Bolt	2

TSE-1017 OPTIONS

(See Page 20 for Optional Wheels)

STOCK CODE	STOCK CODE	DESCRIPTION
30240	3038	4.6" Double, Contour Wheel Assembly



OPTIONAL WHEEL ASSEMBLIES



BRASS
4.5" DIA. FLANGED WHEEL
3030 - Flat or Contour / Brass (30380)



4.62" DIA. WHEEL
3029 - Contour (Shown) (30270)
Single Bearing
3011 - Flat (30250)
3005 - Flat / Double Bearing (30290)
3038 - Contour / Double Bearing (30240)



4.8" DIA. WHEEL
3047 - Contour (Shown) (30320)
3046 - Flat (30300)



BRASS
4.8" DIA. FLANGED WHEEL
3061 - Flat (Shown) or Contour Brass
(30390)